

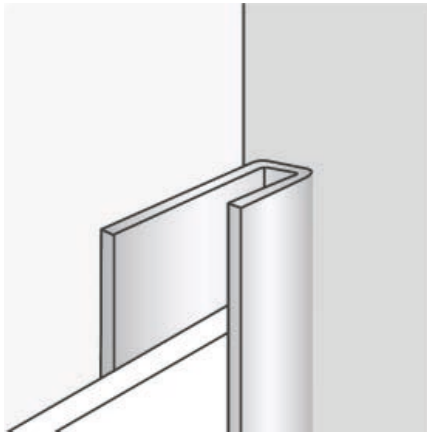


WALL HYDRO

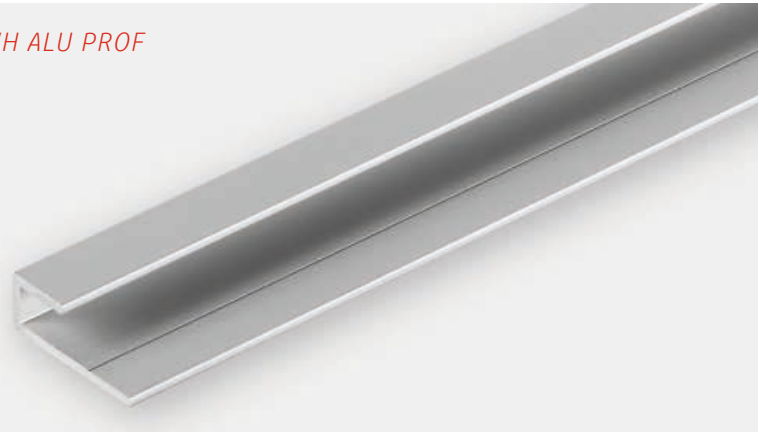
Aluminiumprofile - aluminium finishing trims

ALUMINIUM ENDPROFIL U ALUMINIUM FINISHING TRIM U

2.600 mm L



WH ALU PROF



ALUMINIUM KLIKK-ENDPROFIL ALUMINIUM CLICK FINISHING TRIM

2.600 mm L

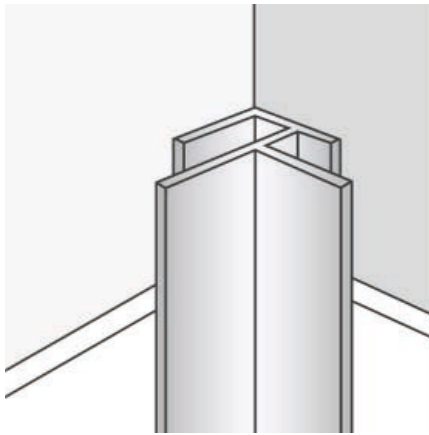


W02.260.ALUZ45.F81



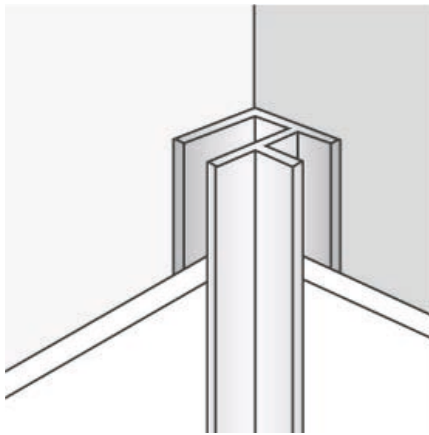
ALUMINIUM UNIVERSAL-ECK ALUMINIUM UNIVERSAL CORNER

15 - 15 mm / 2.600 mm L



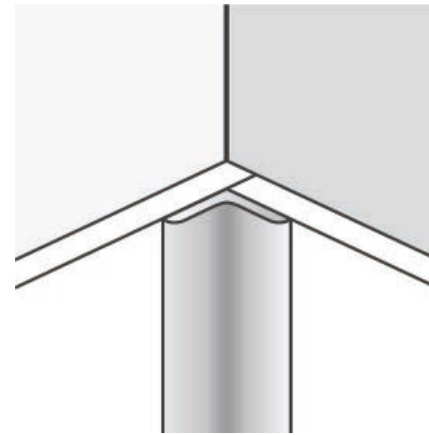
ALUMINIUM UNIVERSAL-ECK ALUMINIUM UNIVERSAL CORNER

12 - 20 mm / 2.600 mm L



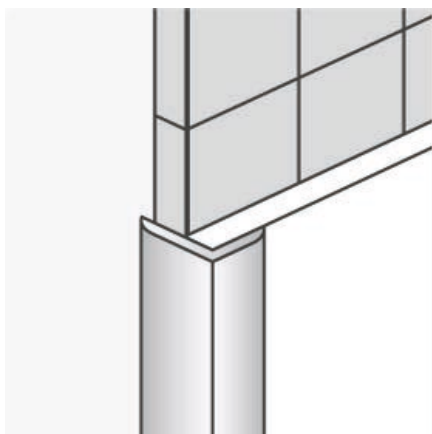
ALUMINIUM INNEN-ECK ALUMINIUM INSIDE CORNER

12 mm / 2.600 mm L



ALUMINIUM L-PROFIL AUSSENECK ALUMINIUM L-TRIM OUTSIDE CORNER

16 - 12 mm / 2.600 mm L

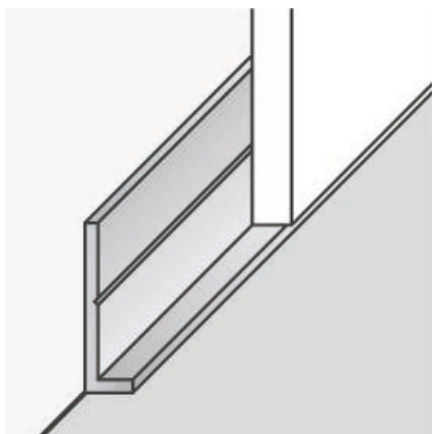


W05.260.ALU.Z48.F84



ALUMINIUM START PROFIL ALUMINIUM START TRIM

2.600 mm L



W06.260.ALU.Z49.F85

